

## FD602GW-DE-Z416 2GE+1POTS+Dual-Band WIFI Dual-Mode ONU



### Brief Views

FD604GW-DE-Z416 voice type ONU is one of the EPON optical network unit design to meet the requirement of the broadband access network. It apply in FTTH/FTTO to provide the data, voice and video service based on the EPON network.

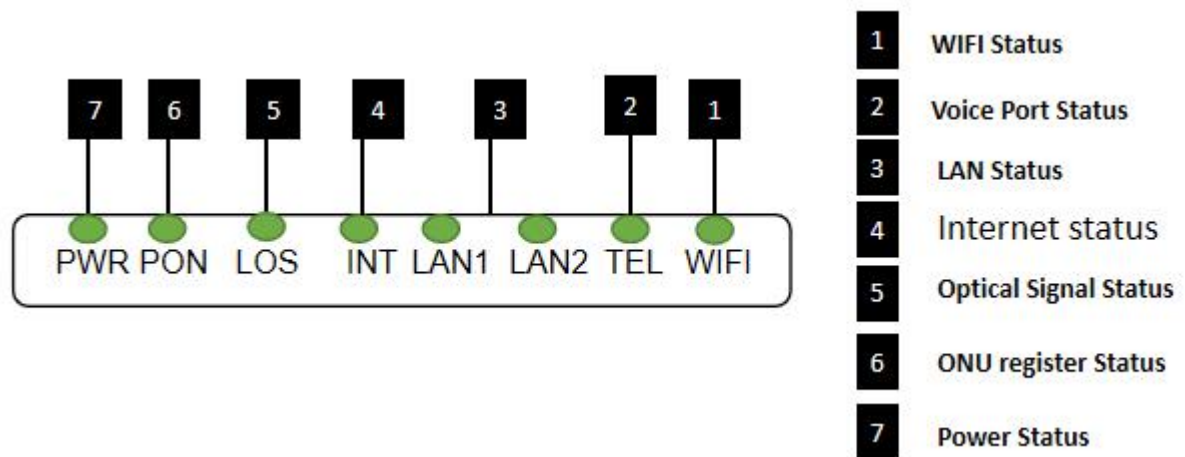
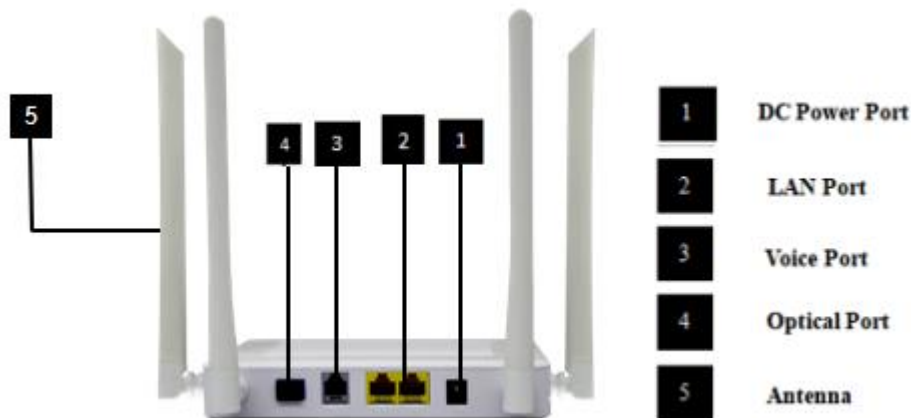
FD604GW-DE-Z416 features high-performance forwarding capabilities to ensure excellent experience with VoIP, Internet and HD video services. It has good third-party compatibility to work with the third party OLT, such as Huawei/ZTE/Fiberhome/Alcatel-Lucent. It provides a perfect terminal solution and future-oriented service supporting capabilities for FTTH deployment.

FD604GW-DE-Z416 integrates wireless function which meets 802.11 a/b/g/n/ac technical standards. At the same time, it also supports 2.4GHz/5GHz dual-band wireless signal. It has the characteristics of strong penetrating power and wide coverage. It can provide users with more efficient data transmission security.

## **Functional Feature**

- Full compatible with IEEE802.3ah
- Meet 802.11 a/b/g/n/ac WIFI technical standard
- Support ONU auto-discovery/Link detection/remote upgrade of software
- Support Ethernet line performance statistics function
- Support OAM+TR069 management mode
- Support VLAN tag/untag
- Support multicast Snooping/Proxy
- Support DHCP/PPPOE/Static IP internet mode
- Support port binding
- Support loop-detection function
- Support device-based speed limitation
- Support MAC-address filter and URL access control
- Support H.248 and SIP protocol
- Support Triple Churning encryption and decryption
- Support Dynamic Bandwidth Allocation (DBA)
- Support ACL configure data packet filter flexibly
- EMS network management based on SNMP ,convenient for maintenance

## **Product Interface and LED Definitions**



Indicator		Description
1	WIFI	WIFI Blinking: Data is being transmitted On: WIFI function Opens
2	TEL	Telephone port status On: The connection between the TEL port and the voice server has been set up Blinking: The voice service of the TEL port is established; Off: The connection between the TEL port and the voice server is not set up.
3	LAN1-2	LAN port status On: Ethernet connection is normal; Blinking: Data is being transmitted through the Ethernet port; Off: Ethernet connection is not set up;
4	INT	Internet status On: The routed WAN Internet service is normal Off: The routed WAN Internet service is abnormal
5	LOS	EPON optical signals On: Optical power lower than receiver sensitivity ; Off: Optical in normal
6	PON	ONU Register On: Success to register to OLT; Blinking: In process of registering to OLT; Off: Failed to register to OLT or no normal optical signal input;
7	PWR	Power status On: The ONU is power on; Off: The ONU is Power off;


**Specification**

Item		Parameter
<b>Interface</b>	PON Interface	1 EPON optical interface Meet 1000BASE-PX20+ standard Symmetric 1.25Gbps upstream/downstream SC/UPC single-mode fiber split ratio: 1:64 Transmission distance 20KM
	POTS Interface	2*RJ11 Max 1km distance Balanced Ring, 50V RMS
	Ethernet Interface	2*10/100/1000M auto-negotiation Full/half duplex mode RJ45 connector Auto MDI/MDI-X 100m distance
	Power Interface	12V DC Power supply
<b>Performance Parameters</b>	PON Optical Parameter	Wavelength: Tx 1310nm, Rx1490nm Tx Optical Power: 0~4dBm Rx Sensitivity: -27dBm Saturation Optical Power: -3dBm
	Data Transmission Parameter	PON Throughput: Downstream 980Mbps; Upstream 950Mbps Ethernet: 1000Mbps Packet Loss Ratio: <1*10E-12 latency: <1.5ms
<b>Network Management</b>	Management Mode	QAM, TR069, WEB, Telnet
	Management Function	Status monitor, Configuration management, Alarm management, Log management
<b>Physical Features</b>	Power	External 12VDC/1.5A power supply adapter Power consumption: <13W
	Dimension and Weight	Item Dimension: 160mm(L)*139.5mm(W)*28.5mm(H) Item Net Weight: about 239g
	Environmental Specifications	Operating temperature: 0 to 40°C Operating humidity: 10% to 90%(Non-condensing)

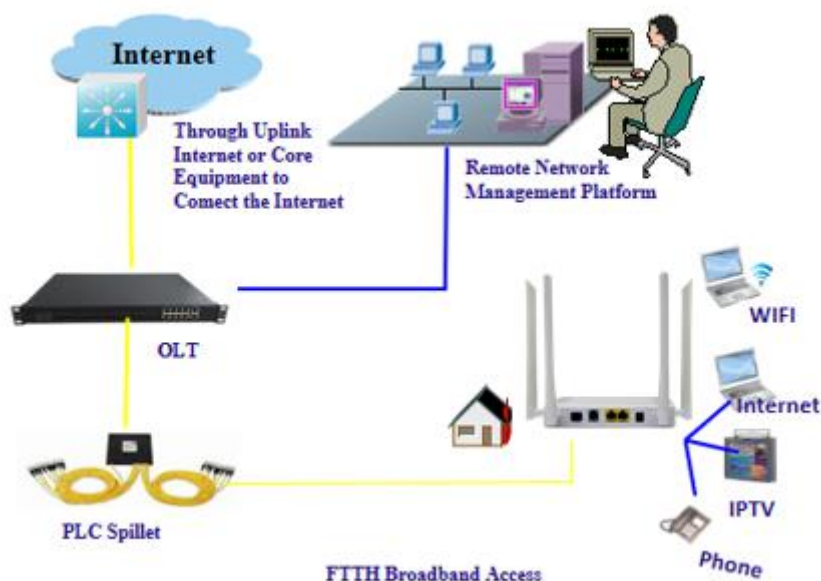
## **WIFI Features**

- Comply with IEEE 802.11a/b/g/n/ac protocol standard, support 2.4GHz and 5GHz
- There are four external antennas
- 5dBi antenna gain
- Maximum ideal rate up to 1.2Gbps
- 2.4GHz supports 2\*2 MIMO (Multiple-Input Multiple-Output) technology
- 5GHz supports 2\*2 MIMO (Multiple-Input Multiple-Output) technology
- Support 8 SSIDs
- Support wider RF bandwidth, up to 80MHz
- Support higher 256-QAM modulation mode
- Support MIMO-OFDM encoding mode
- Support wireless security of 64/128 bit WEP、802.1x、WPA and WPA2
- Support Mesh function

## **Network Application**

Typical Solution: FTTH

Typical Business: Internet, Voice, WIFI



## Ordering Information

Product Name	Product Model	Descriptions
2GE+1POTS+Dual-Band WIFI	FD602GW-DE-Z416	2*10/100/1000M Ethernet interface, 1 EPON adaptive interface, 1 POTS interface, support dual-band WIFI function, plastic casing, external power supply adapter